

PRODUCTS

# Framery Q

Two is company, four is a party – everyone fits



**Framery Q** office pod is a multifunctional, soundproof space for 1-4 people. This pod is ideal for meetings, brainstorming sessions, and important one-on-one conversations in private without disturbing the office – or the office disturbing you. The pod's award-winning design takes a minimum amount of floorspace, fitting seamlessly into your office.

**framery**

# Perfect for you

How do you work best? Choose the interior layout that best suits your needs.



## Framery Q Meeting Maggie

### Comfortable privacy for longer meetings

Suitable for meetings, brainstorming, gathering face-to-face, getting work done, and much more. Meeting Maggie comes with pleasant LED lighting and two power sockets. Two Maggie sofas with curved or straight backrest and a turnable table are always included.



## Framery Q Meeting Maggie Premium

### For shared videoconferences

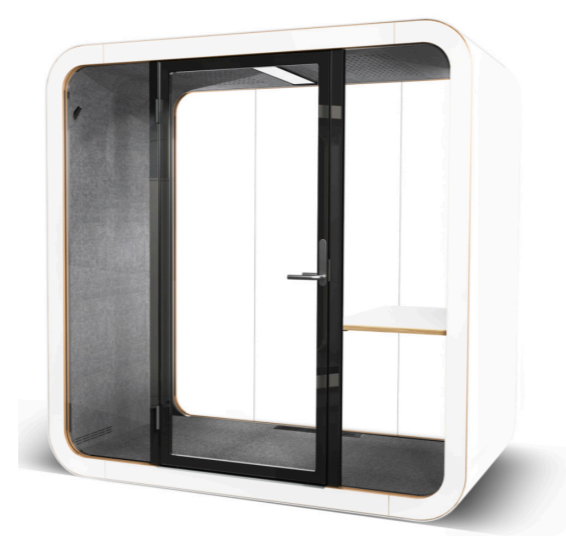
This soundproof, hybrid meeting space can be used by 1-4 people, both in-person and online. A screen bracket and turnable monitor arm makes the layout ideal for videoconferencing, and adjustable lighting & ventilation makes the meeting experience even better. Two Maggie Sofas are always included, and you can choose between curved or straight backrest.



## Framery Q Flip n' Fold

### For easy access

The Framery Q Flip n' Fold is a convenient and flexible fully-accessible interior meeting space. Easily accessible with a wheelchair, the low doorstep, automatic door opener, and folding chairs and table enable many different meeting arrangements. Automatic air ventilation creates a fresh and comfortable working environment. The product is easy to assemble and relocate when necessary.



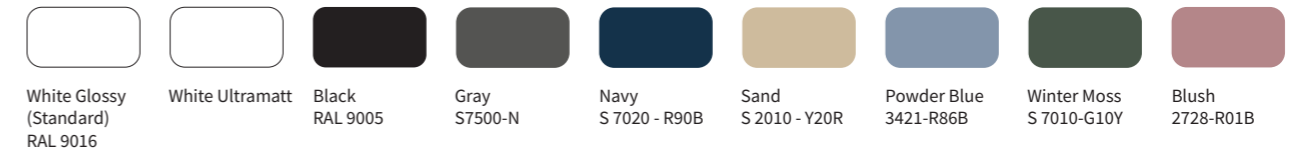
## Framery Q Flow

### For heads-down work

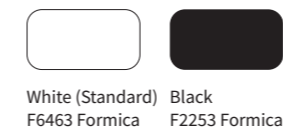
The Framery Q Flow interior layout is designed for uninterrupted heads-down work. It comes with an adjustable electric table that allows you to change your working position from sit-to-stand in a matter of seconds. The Flow has plenty of space inside for a chair and even an extra stool, making it possible to invite your colleague in for a chat or a shared video conference.

## Colors

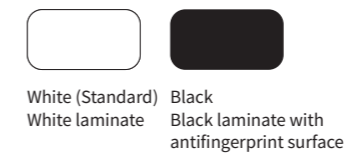
### Exterior



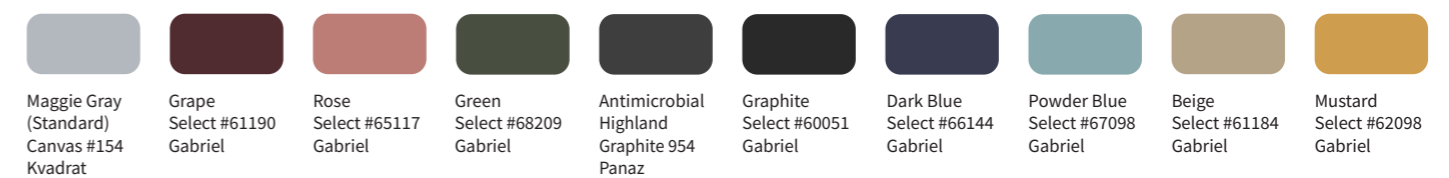
### Frame



### Table



### Maggie Sofa upholstery



## Technical specifications

**Size** 222 cm x 220 cm x 120 cm (h, w, d)  
87.4 in x 86.6 in x 47.2 in (h, w, d)  
With castors (comes with movability kit)  
extra 2 cm / 0.8 in in height

**Weight** 630 kg / 1389 lb (without furniture)

**Ventilation space** Minimum recommended space for air to circulate  
Sides: 5 cm / 1.9 in  
Above: 15 cm / 5.9 in

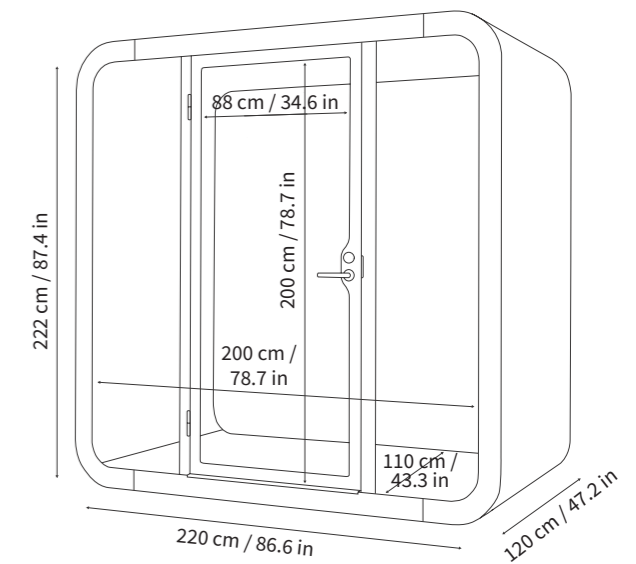
**Acoustics** 29 dB (Speech level reduction according to ISO 23351-1 testing method)

**Airflow** Total airflow is 66 l/s, 140 CFM (237,6 m<sup>3</sup>/h) • On standby mode the fans are working on 25 % of the maximum power.

**Lighting** LED-Lights 4500 K and 300 lux

**Exterior materials** Exterior: Painted sheet metal  
Glass: Sound control laminated glass.  
Frame: Formica laminate on birch plywood with varnish trim.

**Interior materials** Solid walls and roof: A sandwich element of sheet metal, birch plywood, recycled acoustic foam and acoustic felt.  
An anti-static and stain resistant low loop pile carpet for interior floor.  
Table: White Formica laminate on birch plywood with varnish trim.



## Certificates



Framery O, Q and 2Q are UL GREENGUARD certified

Framery O, Q, 2Q and One shipped in North America are UL 962 listed

## Specifications

### Framery Q Meeting Maggie

#### Exterior

222 cm × 220 cm × 120 cm (height, width, depth)  
87.4 in × 86.6 in × 47.2 in (height, width, depth)

#### Interior

200 cm × 200 cm × 110 cm (height, width, depth)  
78 in × 78 in × 43.2 in (height, width, depth)

#### Doorway

86 cm wide / 33.6 in wide

#### Lighting

Led light: 4500 K and 300 lux

#### Ventilation space

(Minimum recommended space for air to circulate)

Sides: 5 cm / 1.9 in

Above: 15 cm / 5.9 in

#### Power consumption

20 W while in use (Standard configuration)

- LED lights: 11 W

- Fans in total: 8,6 W

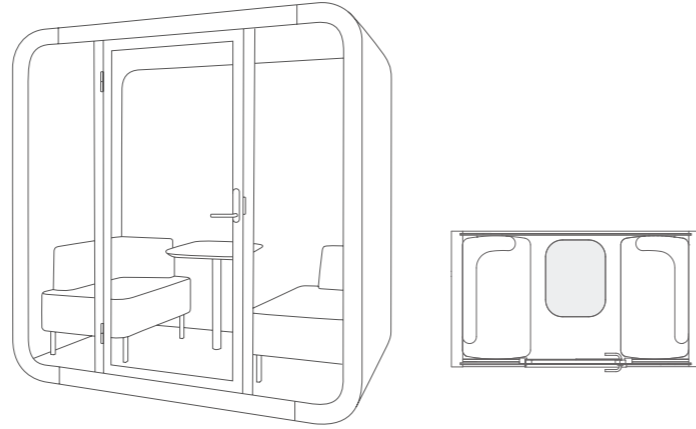
2,1 W in standby mode

Input: 100-240 VAC, 8.0 A, 50-60 Hz

#### Regular table outlets

2 power sockets, USB-A+C

Optional: Data Cartridge with two LAN ports



#### Turnable table

70 cm × 71 cm × 53 cm (height, width, depth)

26.4 in × 27.6 in × 20.4 in (height, width, depth)

#### Sofa options

Maggie sofas are available with straight backrest (standard) or backrest with armrest. Optional fabrics are available including anti-microbial fabric.

#### Output values

Output VAC (power socket): 100-240 VAC, 6,6 A, 50-60 Hz

Output USB (TUF) charging:

Maximum combined output of 5 A at 5 VDC (25W)

#### Screen

Maximum display size 27". Maximum weight 15 kg / 33 lbs with flat VESA 75 × 75 or VESA 100 × 100 mounting surface. Screen not included.

Power cord can be led out of the bottom corners of the pod. The cord length outside the pods is 4,5 m / 176.4 in

All electric components can be changed if there is a malfunction. Power consumption is a constant value that is determined by the power usage of the pods' internal components (electric unit, motion detector, light and fans). Framery's products can be plugged into a wall socket. The pods have their own power supplies that give 24 V DC to the lights and 12 V DC to the fans. The lights and fans are operated by a motion detector. Inside the pods, there are country-specific power outlets for charging mobile devices.

### Framery Q Flow

#### Exterior

222 cm × 220 cm × 120 cm (height, width, depth)  
87.4 in × 86.6 in × 47.2 in (height, width, depth)

#### Interior

200 cm × 200 cm × 110 cm (height, width, depth)  
78 in × 78 in × 43.2 in (height, width, depth)

#### Doorway

86 cm wide / 33.6 in wide

#### Lighting

Led light: 4500 K and 300 lux

#### Ventilation space

(Minimum recommended space for air to circulate)

Sides: 5 cm / 1.9 in

Above: 15 cm / 5.9 in

#### Power consumption

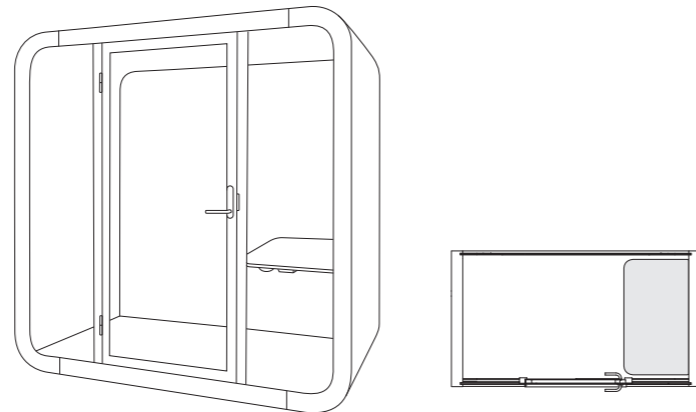
20 W while in use (Standard configuration)

- LED lights: 11 W

- Fans in total: 8,6 W

2,1 W in standby mode

Input: 100-240 VAC, 8.0 A, 50-60 Hz



#### Output values

Output VAC (power socket): 100-240 VAC, 6,6 A, 50-60 Hz

Output USB (TUF) charging:

Maximum combined output of 5 A at 5 VDC (25W)

Power cord can be led out of the bottom corners of the pod. The cord length outside the pods is 4,5 m / 176.4 in

All electric components can be changed if there is a malfunction. Power consumption is a constant value that is determined by the power usage of the pods' internal components (electric unit, motion detector, light and fans). Framery's products can be plugged into a wall socket. The pods have their own power supplies that give 24 V DC to the lights and 12 V DC to the fans. The lights and fans are operated by a motion detector. Inside the pods, there are country-specific power outlets for charging mobile devices.

## Specifications

### Framery Q Flip n' Fold

#### Exterior

222 cm × 220 cm × 120 cm (height, width, depth)  
87.4 in × 86.6 in × 47.2 in (height, width, depth)

#### Interior

210 cm × 200 cm × 110 cm (height, width, depth)  
81.6 in × 78 in × 43.2 in (height, width, depth)

#### Weight

700 kg / 1543 lb

#### Doorway

Clear opening width 91,5 cm / 36 in

#### Lighting

Led light: 4500 K and 300 lux

#### Ventilation space

(Minimum recommended space for air to circulate)

Sides: 5 cm / 1.9 in

Above: 15 cm / 5.9 in

#### Power consumption

23 W while in use (Standard configuration)

- LED lights: 13,5 W

- Fans in total: 8,6 W

- 2 power sockets, USB-A+C

#### Seat

Black Plywood, black fabric

Wall mounted foldable seats

Power cord can be led out of the bottom corners of the pod. The cord length outside the pods is 4,5 m / 176.4 in

All electric components can be changed if there is a malfunction. Power consumption is a constant value that is determined by the power usage of the pods' internal components (electric unit, motion detector, light and fans). Framery's products can be plugged into a wall socket. The pods have their own power supplies that give 24 V DC to the lights and 12 V DC to the fans. The lights and fans are operated by a motion detector. Inside the pods, there are country-specific power outlets for charging mobile devices.

## Furnitures



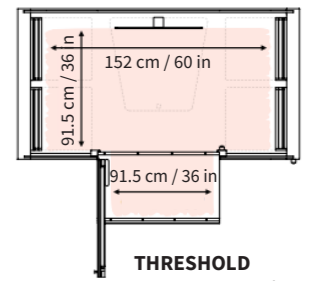
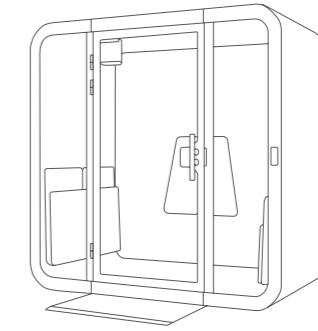
#### Meeting Maggie

Turnable table allows something to be shown from a laptop and leaves room for entering and exiting the pod. Maggie sofas are available in different backrest configurations and with or without armrests.

#### Flip n' Fold

Four foldable seats are included in the Framery Q Flip n' Fold pod, together with a foldable table for maximum accessibility.

Flip n' Fold features ADA 2010 compliant T-shaped turning space.



#### THRESHOLD

ADA 2010 compliant threshold

1:2 Ratio

1:2 Ratio

## Optional functionalities



**Screen bracket** is in the center of the back glass and can be fitted with a maximum 27" display with VESA 75 X 75 or 100 X 100 mounting. Compatible with Framery Q Meeting Maggie. By having a screen bracket you can extend the use cases within the pod being able to use display for presentations / hybrid meetings. Option includes screen bracket, display acquired by the customer.



**Turnable monitor arm** allows two users to sit on one side of a Framery, turn display towards them, and both be visible on a camera mounted on it. Compatible with Framery Q Meeting Maggie. Screen bracket is included when selecting turnable monitor arm as an option. Display and camera acquired by the customer.



**Control panel for ventilation and lighting** With this control panel you can adjust ventilation and lighting inside the pod. Compatible with Framery Q Meeting Maggie and Flow. Control panel is a useful option as number of persons and/or use cases within larger pods may vary. It is installed on doorwall frame. Option includes the control panel and required wires.



**Movability kit** Flexibility of offices is an important factor, and location of the pod may change. With movability kit relocating your Framery pod has never been this easy. Compatible with Framery Q Meeting Maggie and Flow. Option includes eight castors and fasteners that can be installed to the bottom of the pod.



**Booking bracket** is a universal booking tablet bracket with a plywood surface attached to the door locking plate. Two sizes available to fit your device. Option includes the bracket and kit required for attachment. Customer acquires the booking tablet and cover for it which is mounted to the bracket.  
**Bracket dimensions:**  
Small 12 cm x 23 cm / 4.7 in x 9.1 in  
Large 22 cm x 30 cm / 8.7 in x 11.8 in



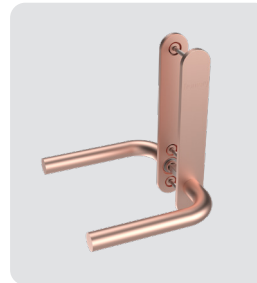
**Self-closing hinges** can be used to make sure the door is not blocking passageways. Self-closing hinges are a type of hinge that has a spring built into it. Available for both left-handed and right-handed door. Compatible with Framery Q Meeting Maggie and Flow. Option includes set of black hinges for the door.



**Wireless Charger** Charge your phone wire-free inside your pod. The charger itself is located underneath the table, with a sticker on top of the table indicating where to place your phone to get it charged. Compatible for Framery Q Meeting Maggie and Flow. Option includes the charger, required wires and the sticker.



**Smart Lock Compatible** is a kit of parts that allows customer selected smart lock and key to be installed. Compatible with Framery Q Meeting Maggie and Flow. Option includes kit shown in picture. Smart lock itself is acquired by the customer.



**Copper-plated door handle** Copper has been used for health purposes since ancient times. According to a study by Centers for Disease Control and Prevention (CDC), viruses disintegrate quicker after landing on copper surfaces than on plastic or stainless steel surfaces. Compatible with Framery Q Meeting Maggie and Flow. Option includes copper-plated door handle.



**Data cartridge for Power outlet** Power outlet has two power and two charging USB (C+A) sockets as standard. Data cartridge is attached during installation to power outlet located underneath the table. Compatible with Framery Meeting Maggie and Flow. Option includes a data cartridge with two LAN ports, two LAN cables and wireless charging.



**Anti-microbial, non-toxic polyester fabric** Anti-microbial, waterproof, bleach cleanable, stain resistant and durable polyester fabric. Our non-toxic material is safe and ISO 10993-5:2009 tested. Compatible with Framery Q Meeting Maggie.